

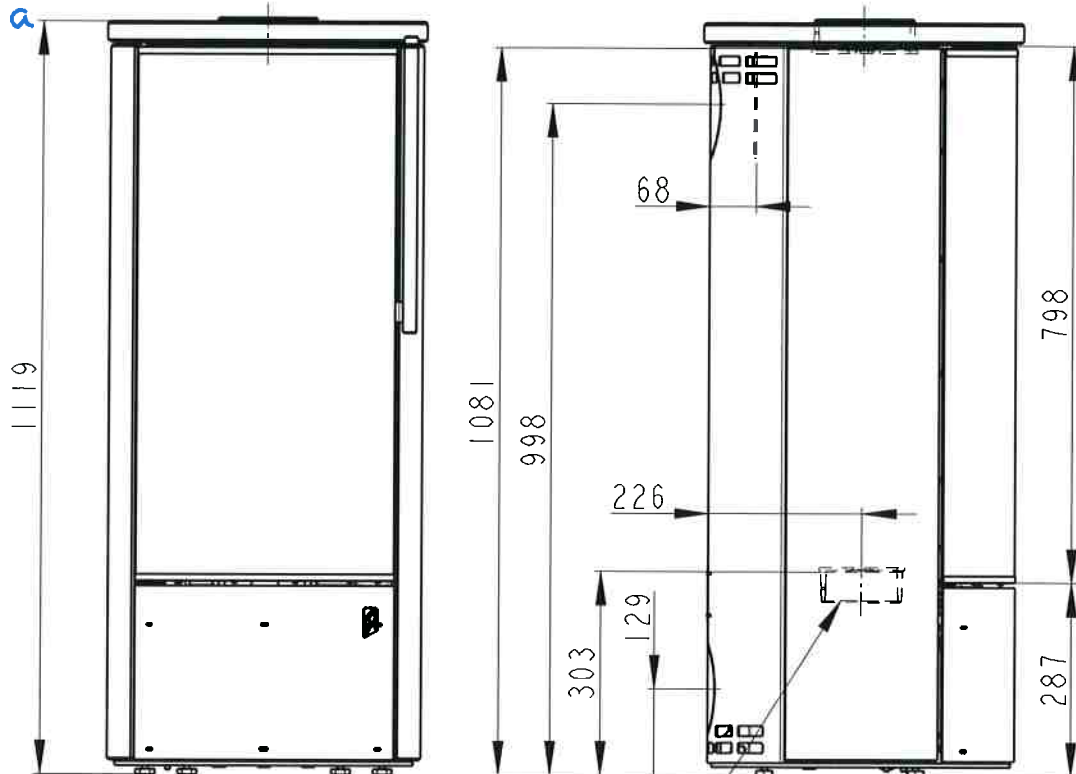
Rozmery v mm; Maße in mm
Prüfbericht Nr. RRF -

IRUN 04 PISKOVEC-155A

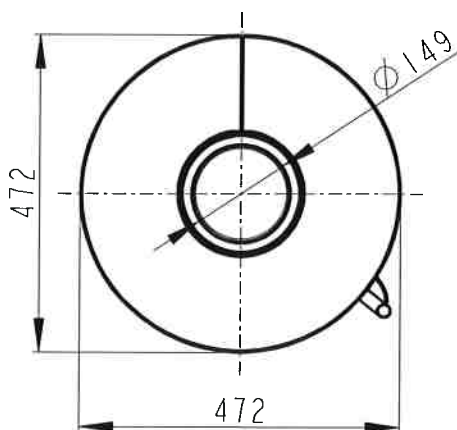
154 kg

NS 17 4701-1

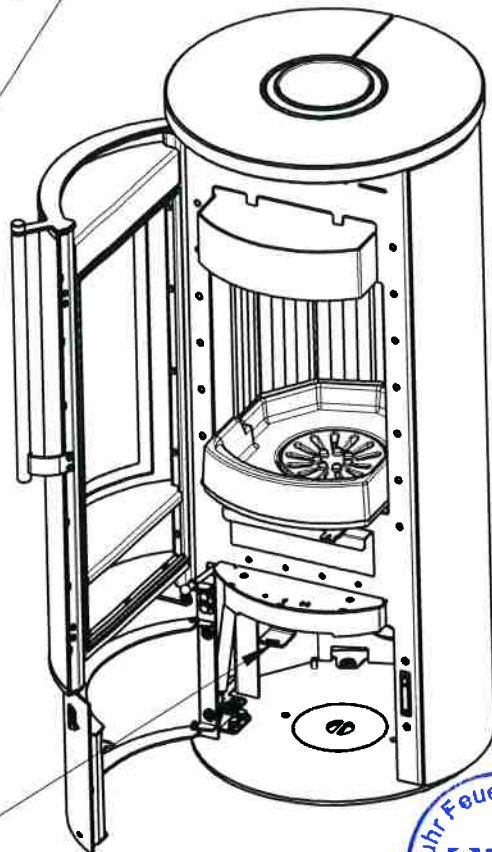
Anlage a



Centralni privod vzduchu $\varnothing 120$
Zentral luftzufuhr $\varnothing 120$
Central air inlet $\varnothing 120$



Primarni a sekundarni vzduch
Primarluft und sekundarluft
Primary and Secondary air



Artikl	IRUN		
--------	------	--	--

General data

Nominal heat output	kW	5,9	4,9
Efficiency	%	81,88	80,54
Mass of the test fuel fired hourly	kg/h	1,26	1,41
Dry flue gases mass flow	g/s	3,9	4,8
Mean flue gas temperature	°C	240	237
Flue draught	Pa	12	
Weight	kg	134	
CO ₂	%	9,57	8,48
Dust O ₂ =13%	mg/m ³	39	39
CO O ₂ =13%	mg/m ³	946	694

Recommended values

Reg.output	kW	3-8
Max. mass of the test fuel fired hourly	kg/h	2,2
Flue gas connector diameter	mm	150

Meets requirement limit values for

EN 13 240	•
BImSch V 1	•
BImSch V 2	•
DIN plus	•
15a B-VG	•

Supplied accessories

Holder with magnet	•
Ashtray	•

- ❖ Testing laboratory according to Regulation (EU) Nr. 305/2011, notified body No.: NB 1625
- ❖ Testing laboratory according to DIN EN ISO/IEC 17025:2005, DAkkS No. D-PL-17727-01-00
- ❖ Testing, monitoring and certification body according to LBO, registered No.: NRW 15
- ❖ Testing, monitoring and certification body in construction supervision licensing procedures
- ❖ DIN CERTCO testing laboratory, registered No. PL139

Test report: Enclosed wood heater – smoke emission

Test methods	Norsk Standards: NS 3058-1: June 1994 NS 3058-2: June 1994 NS 3059: October 1994
Testing station	RRF Rhein-Ruhr Feuerstätten Prüfstelle GmbH Im Lipperfeld 34 b, 46047 Oberhausen, DEUTSCHLAND Telefon: +49(0)208-607041 - 0, Fax: +49(0)208-607041 - 28
Reference No.	RRF - NS 17 4701-1
Manufacturer	Seljord Varmeservice AS Steinsrudvegen 7, NO-3840 Seljord
Product name	Wood heater
Type, Serial number	IRUN 04
Client	Seljord Varmeservice AS Steinsrudvegen 7, NO-3840 Seljord
Date of delivery	14.07.2017
Taking of the appliance	Delivered by manufacturer
Wood heater grade	1
Leakage of the wood heater (at +25 Pa)	13 m ³ /h
Total weighted particulate emission	5,4 g/kg dried wood (Max. allowable 10 g/kg)
Maximum emission for one test	11,89 g/kg dried wood (Max. allowable 20 g/kg)
Test location	Voßhölzchen 10, 57489 Drolshagen
Technician	Schulte, K.

Abstract:

The wood heater IRUN 04 fulfils the Norwegian requirements for smoke emission according to NS 3059.

This test report has been drawn up without prejudice to the rights of third parties in respect of private trademark rights of the initiator or manufacturer and may not be published in extracts.

The test report consisting of pages 1 to 27 and the appended test documentation a) contain the results of the testing relating to this standard.

This test report replaces the test report No. RRF - NS 17 4701 dated on 07. September 2017.

Oberhausen, 13. September 2017
(place and date)



Rhein-Ruhr Feuerstätten Prüfstelle
(C. Droll)

(stamp and signature of Deputy Head of Testing Laboratory)