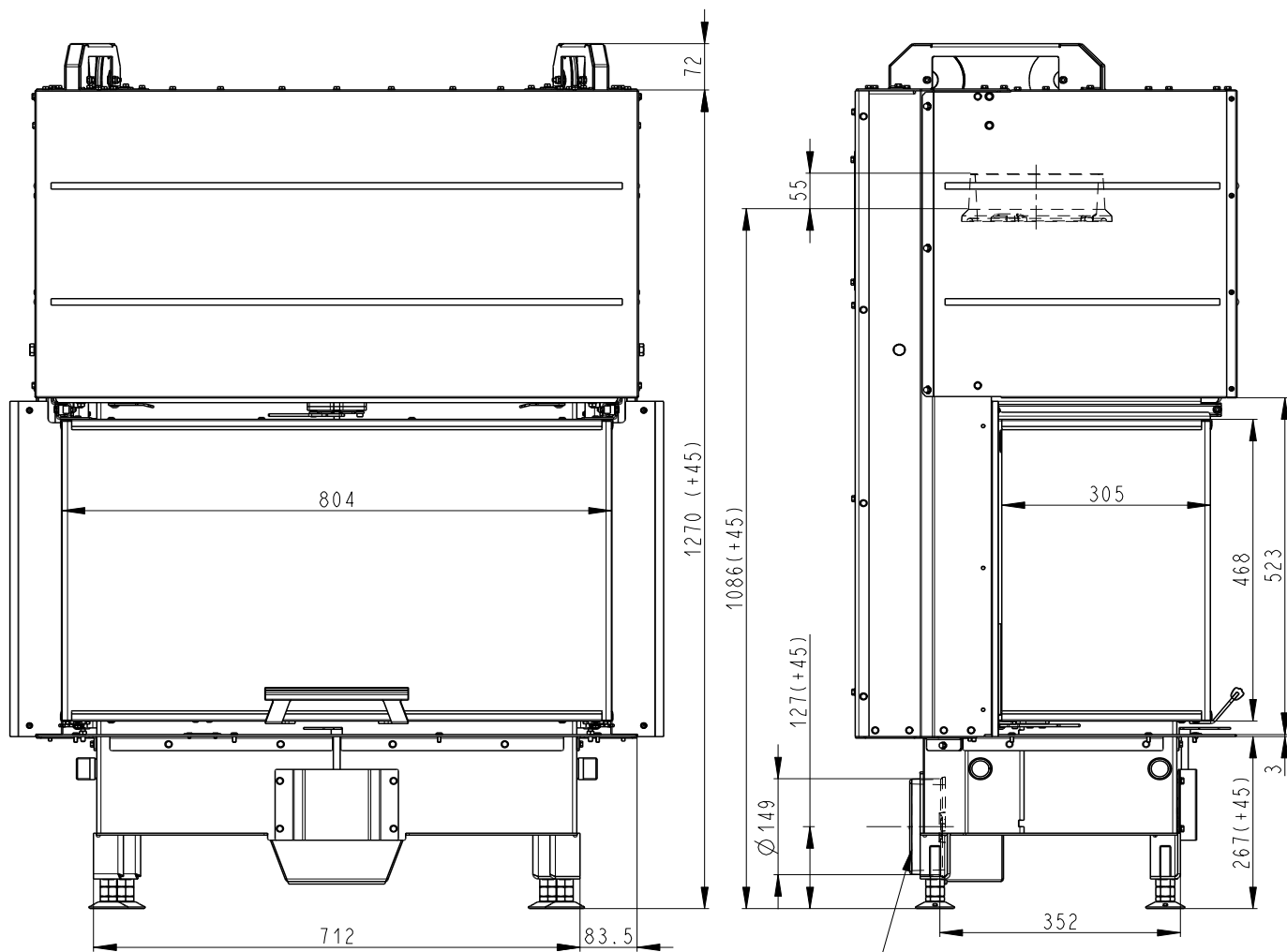
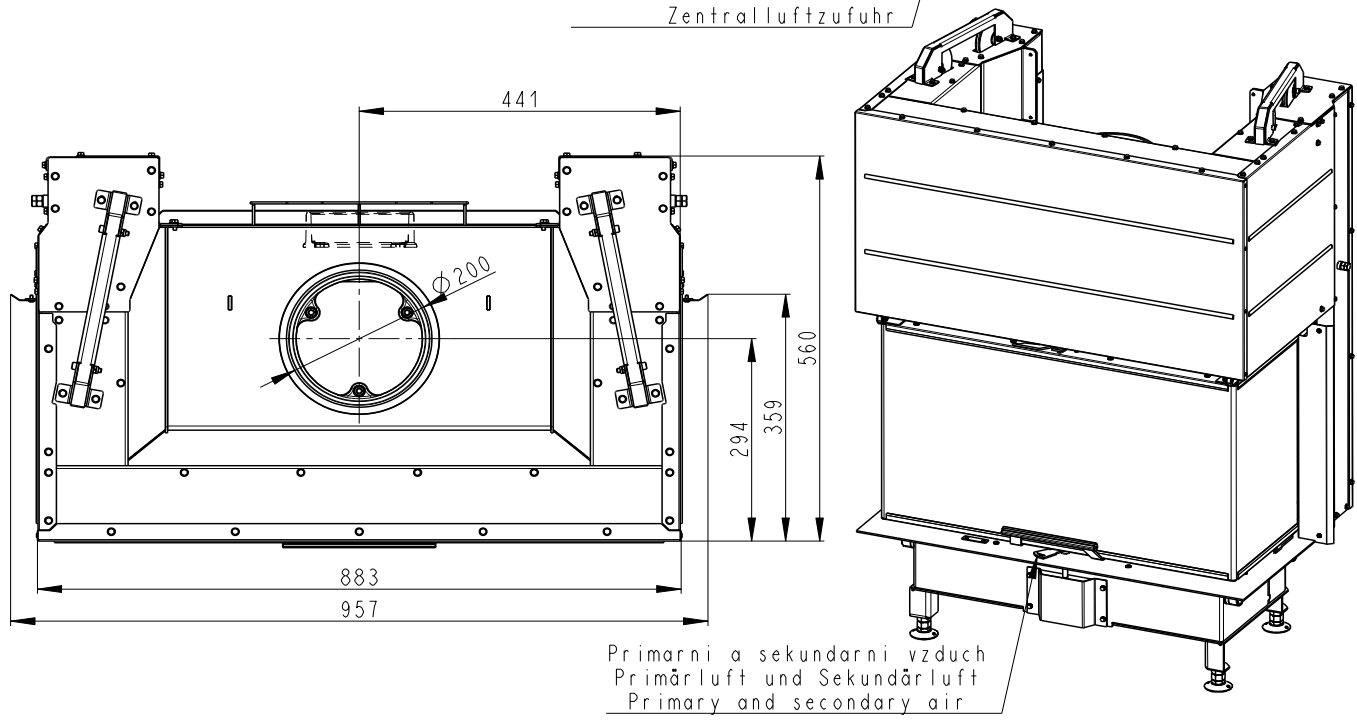


# HEAT C 2g L 80.52.31.01 (21)



Centralni privod vzduchu  
 Central air inlet  
 Zentralluftzufuhr



Primarni a sekundarni vzduch  
 Primärluft und Sekundärluft  
 Primary and secondary air

Artikl	HC2LJ 01 (21)
--------	---------------

#### General data

Nominal heat output	kW	9,9
Efficiency	%	80,42
Mass of the test fuel fired hourly	kg/h	2,8
Dry flue gases mass flow	g/s	8,2
Mean flue gas temperature	°C	268
Flue draught	Pa	11
Weight	kg	245
CO <sub>2</sub>	%	10,15

#### Recommended values

Reg.output	kW	5 – 13
Max. mass of the test fuel fired hourly	kg/h	4,51
Min. cross section of convect air inlet for nominal output	cm <sup>2</sup>	900
Min. cross section of convect air outlet for nominal output	cm <sup>2</sup>	1070
Combustion air requirement	m <sup>3</sup> /h	23,6
Flue gas connector diameter	mm	150 - 200

#### Meets requirement limit values for

EN 13 229	•
BImSch V 1	•
BImSch V 2	•
DIN plus	•
15a B-VG	•

#### Supplied accessories

Holder with magnet	•
Hook to open the ashtray	-
Ashtray	-