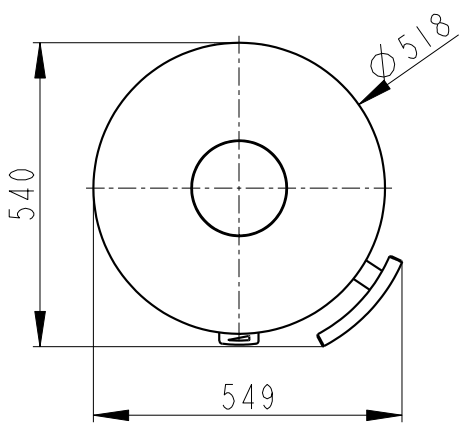
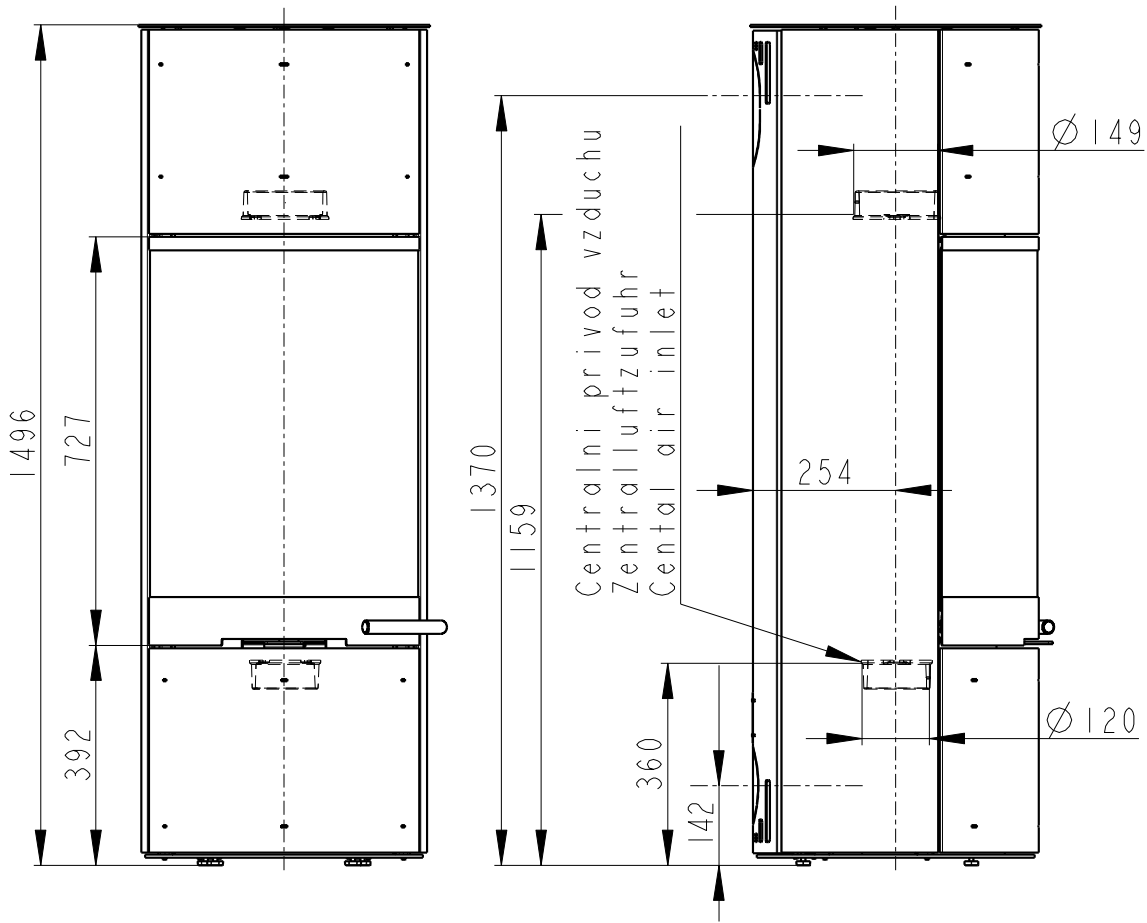
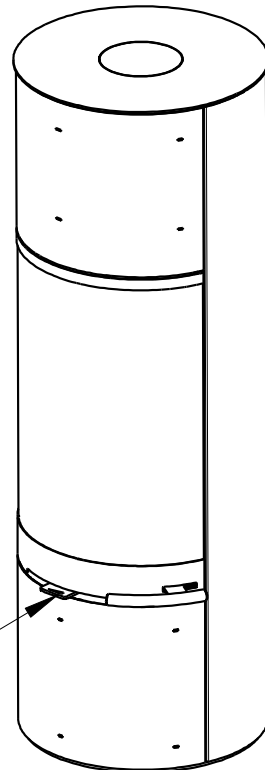


SORIA



Primarni a sekundarni vzduch
 Primarluft und sekundarluft
 Primary and secondary air



Artikl	SORIA		
--------	-------	--	--

General data

Nominal heat output	kW	5,9	4,9
Efficiency	%	81,88	80,54
Mass of the test fuel fired hourly	kg/h	1,26	1,41
Dry flue gases mass flow	g/s	3,9	4,8
Mean flue gas temperature	°C	240	237
Flue draught	Pa	12	
Weight	kg	180	
CO ₂	%	9,57	8,48
Dust O ₂ =13%	mg/m ³	39	39
CO O ₂ =13%	mg/m ³	946	694

Recommended values

Reg.output	kW	3-8	
Max. mass of the test fuel fired hourly	kg/h	2,2	
Flue gas connector diameter	mm	150	

Meets requirement limit values for

EN 13 240	•
BImSch V 1	•
BImSch V 2	•
DIN plus	•
15a B-VG	•

Supplied accessories

Holder with magnet	•
Ashtray	•